
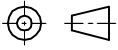


NOTES:

1. SENSOR WELLS PRESSURE RATING IS 80 PSI (CONSULT FACTORY).

RELATED DOCUMENTS		3RD ANGLE PROJECTION		THIS DRAWING IS CONFIDENTIAL AND THE PROPERTY OF TURCK INC. USE OF THIS DOCUMENT WITHOUT WRITTEN PERMISSION IS PROHIBITED.		 3000 CAMPUS DRIVE MINNEAPOLIS, MN 55441 1-800-544-7769 (763) 553-7300 (763) 553-0708 fax www.turck.us	
1.				DRFT SWC		DATE 11/18/92	
2.				DESCRIPTION		TWU-40B	
3.		ALL DIMENSIONS DISPLAYED ON THIS DRAWING ARE FOR REFERENCE ONLY CONTACT TURCK FOR MORE INFORMATION		DSGN		SCALE NONE	
4.				UNIT OF MEASUREMENT		IDENTIFICATION NO.	
MATERIAL UHMW/PE		INCH [MILLIMETER]		DO NOT SCALE THIS DRAWING		REV C	
FINISH				FILE: A5000		SHEET 1 OF 1	

C	UPDATE TO CURRENT TITLEBLOCK	RDS	07/16/02	5504
REV	DESCRIPTION	BY	DATE	ECO NO.